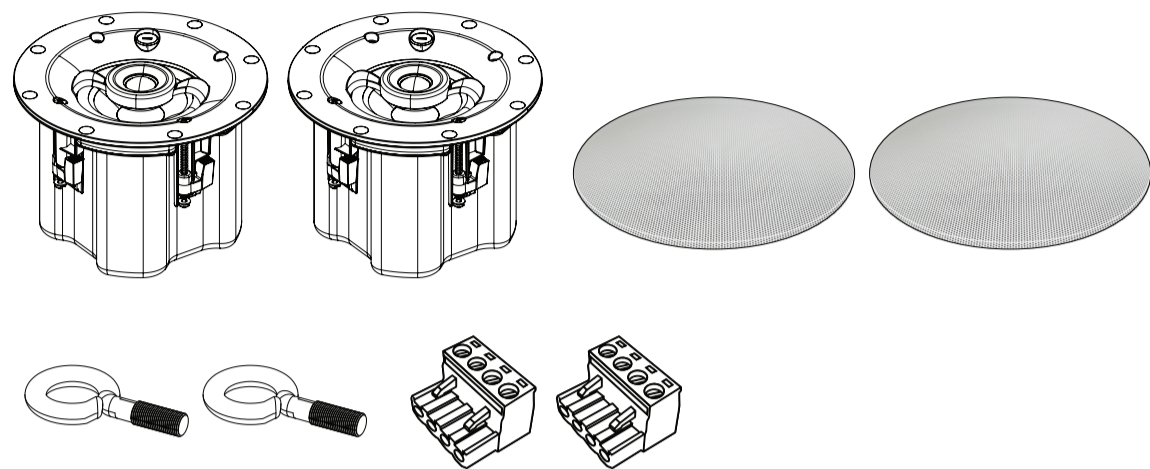


WHAT'S IN THE BOX

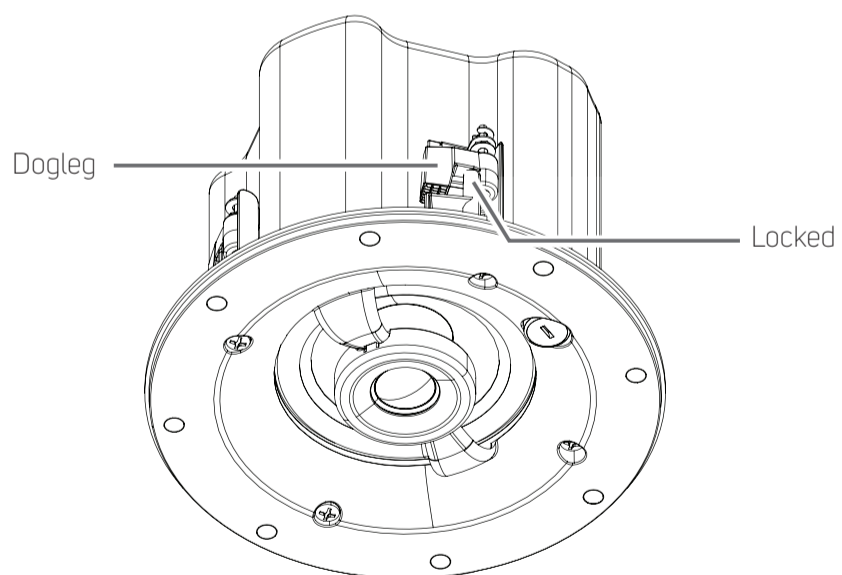


<https://www.bluesoundprofessional.com/product/BCS250-passive-ceiling-speaker>

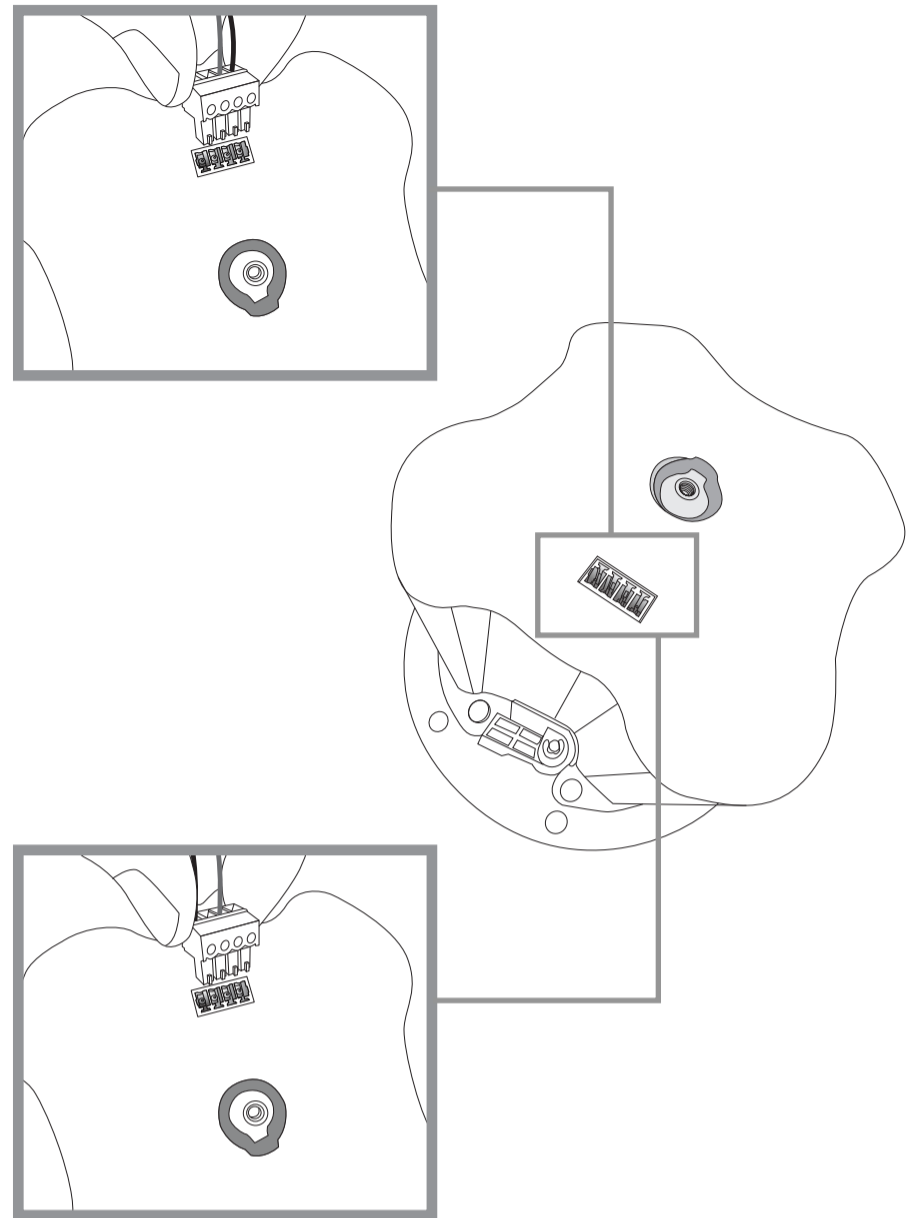
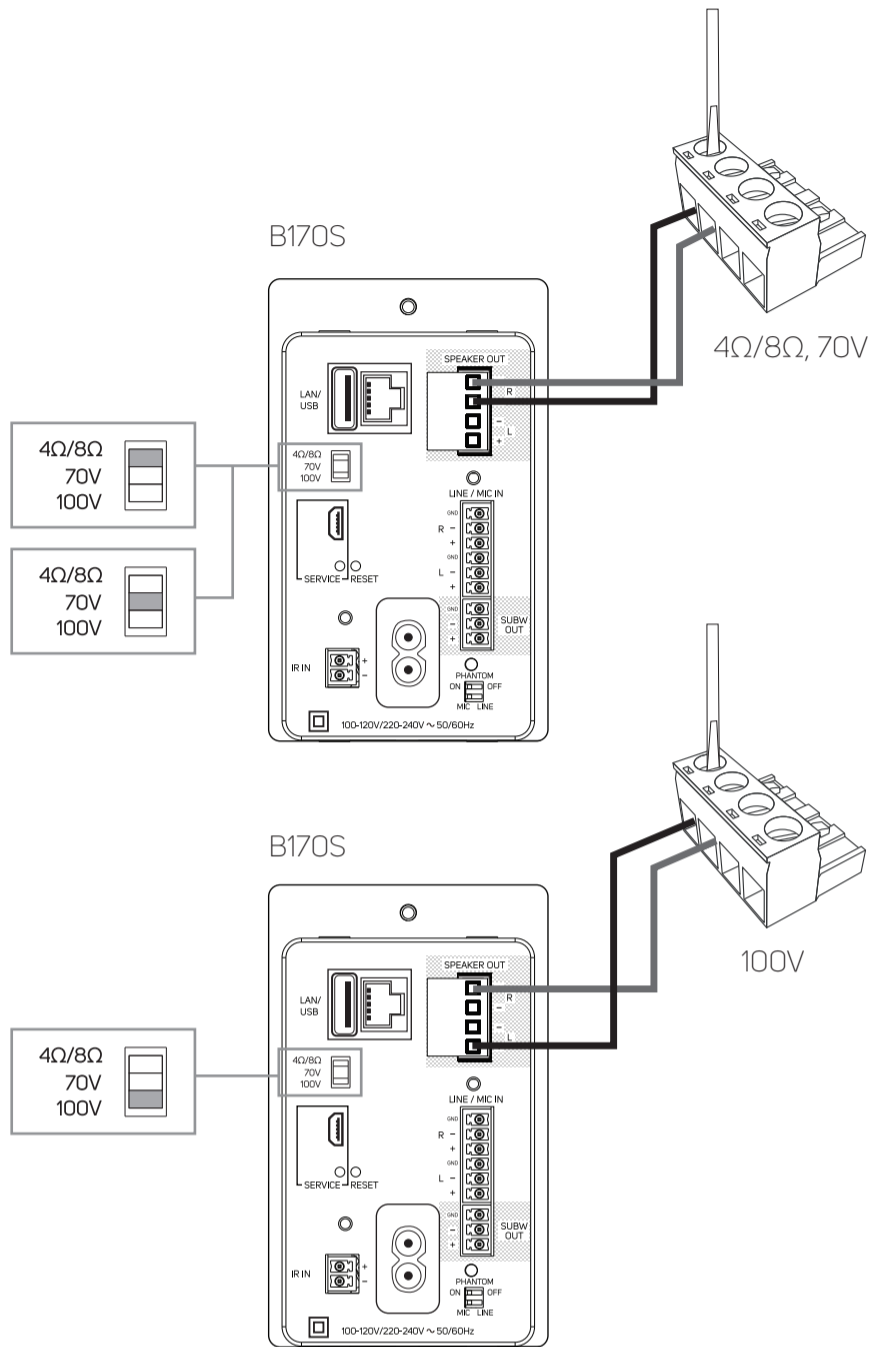
<https://support.bluesoundprofessional.com>

CONNECT

1 Factory default settings

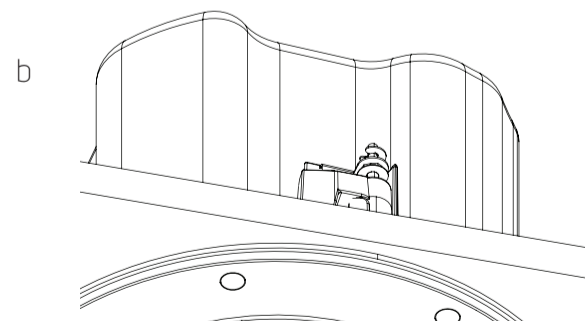
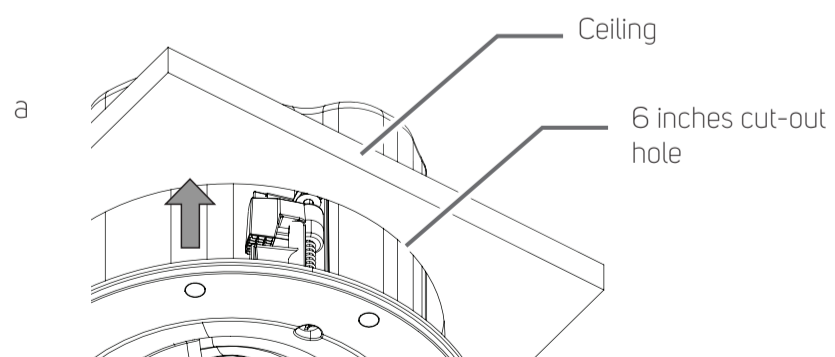


2 Speaker wire connection

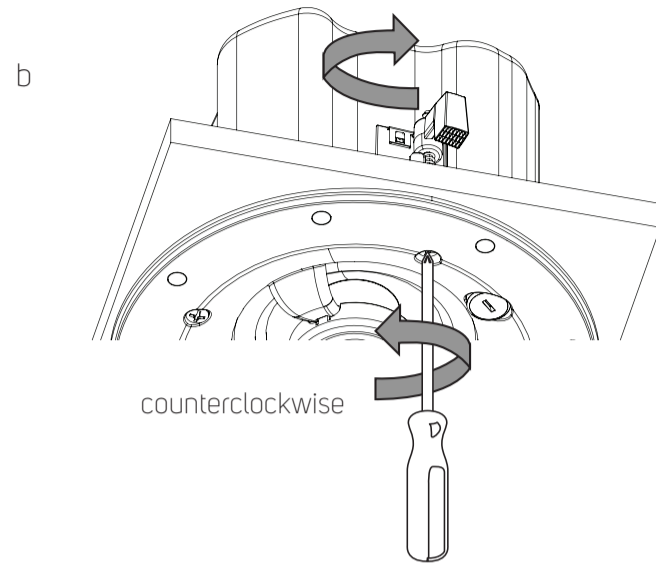
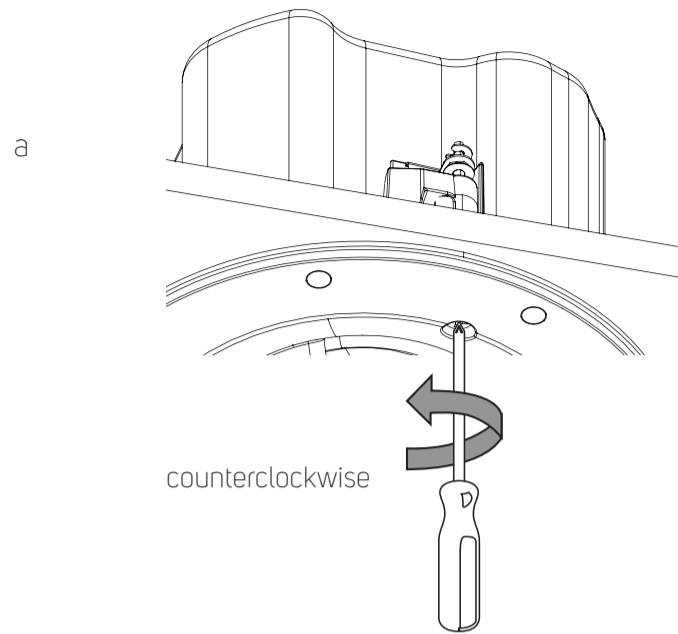


INSTALL

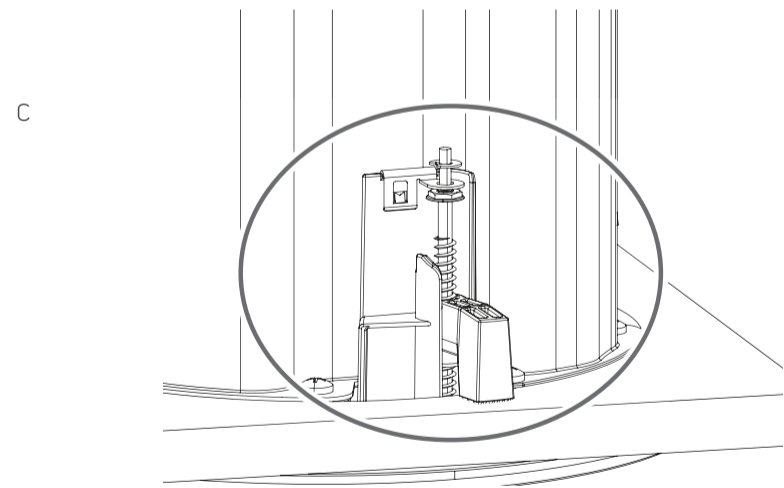
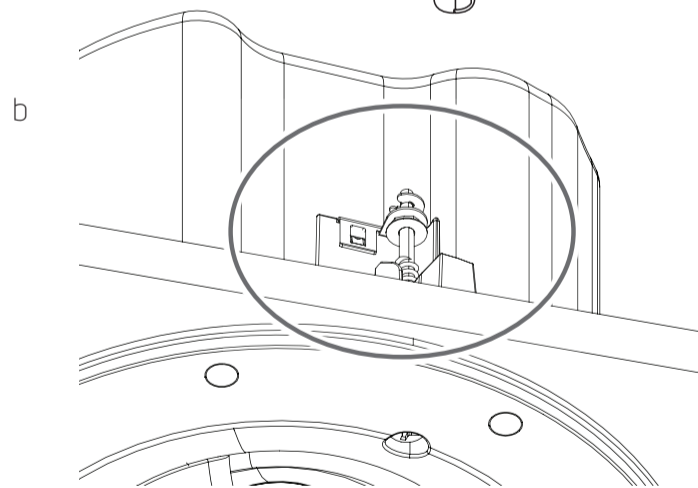
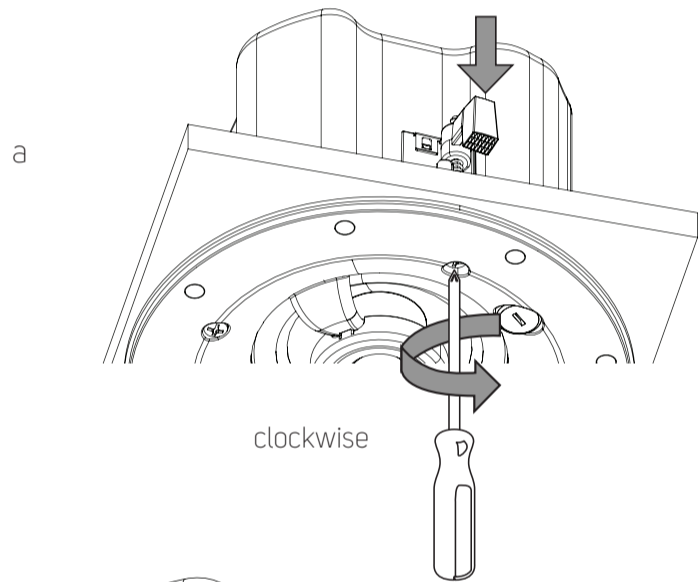
1 Position in-ceiling



2 Loosen dogleg to unlock

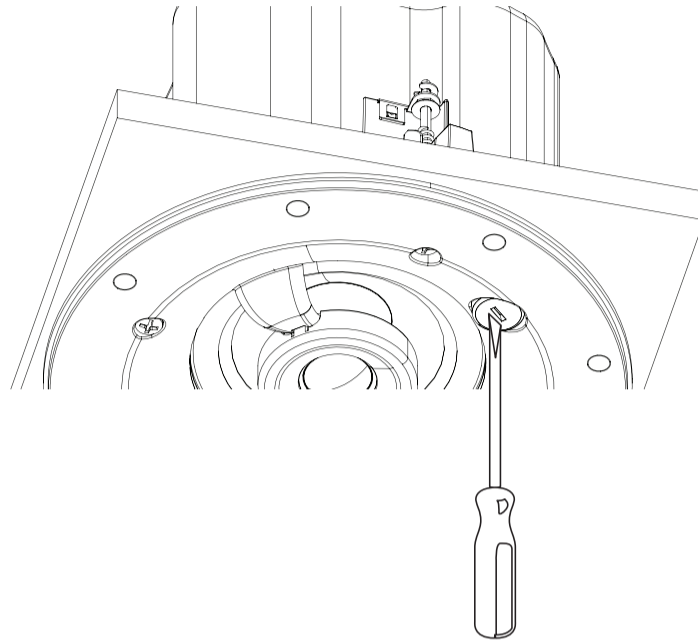


3 Tighten dogleg. Be sure not to tighten too fast or too tight.

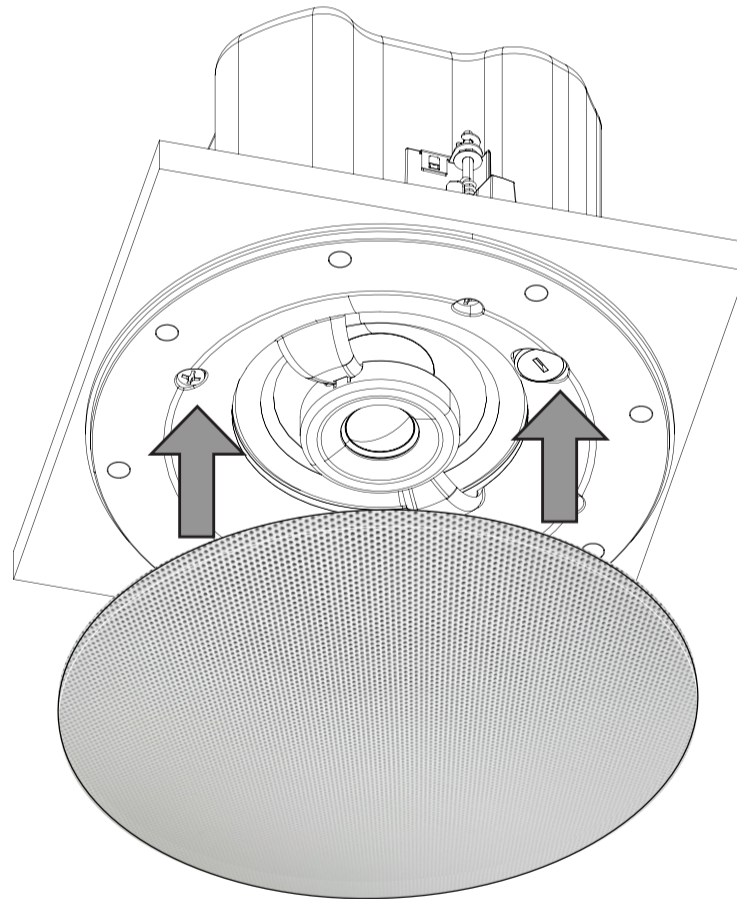


4 Repeat Step 2 and 3 for the three other doglegs.

5 Adjust Selector switch to desired setting



6 Install grille



BCS Round Grille White

Grille Options
BCS Round Grille White (Supplied)
BCS Round Grille Black (Sold Separately)
BCS Square Grille Black (Sold Separately)
BCS Square Grille White (Sold Separately)