

## WHAT'S IN THE BOX

---



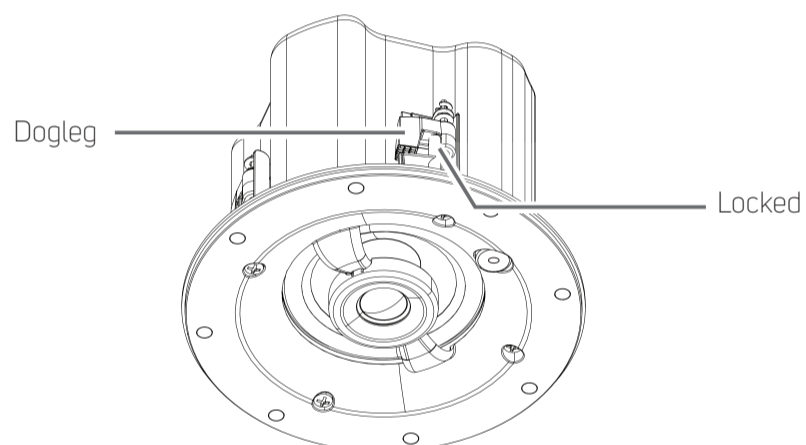
<https://www.bluesoundprofessional.com/product/BCS300-network-streaming-ceiling-speaker>

<https://support.bluesoundprofessional.com>

## CONNECT

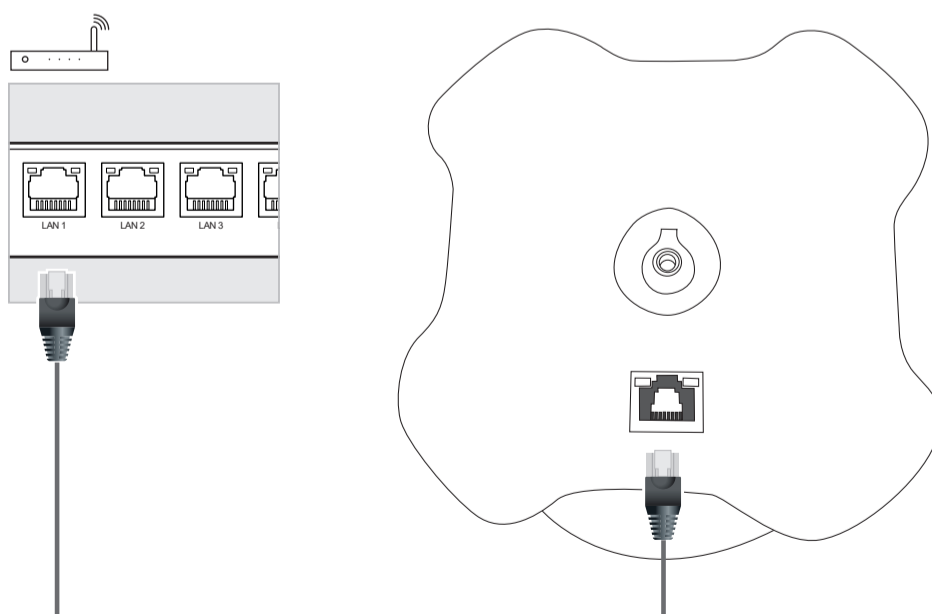
---

### 1 Factory default settings



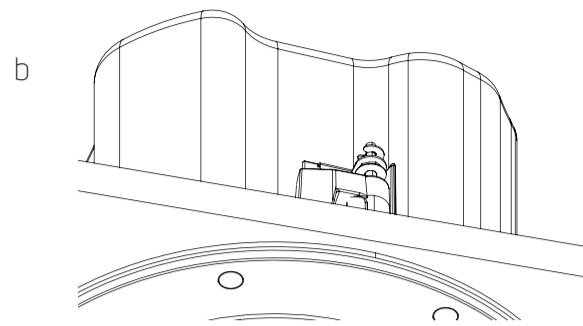
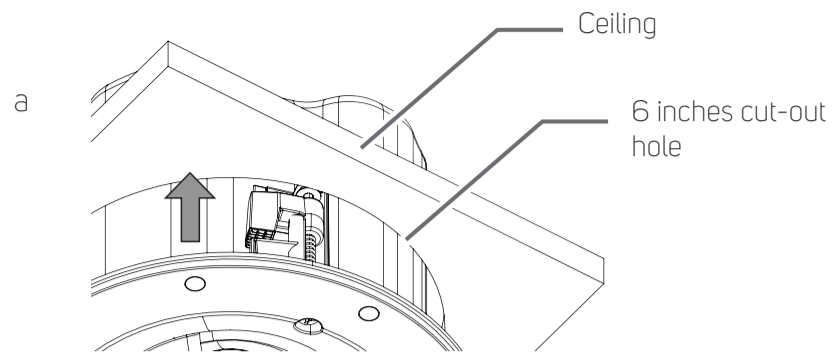
### 2 Ethernet

PoE Data/Power supply - Power over Ethernet (POE) IEEE 802.3at Type 2 (30W)

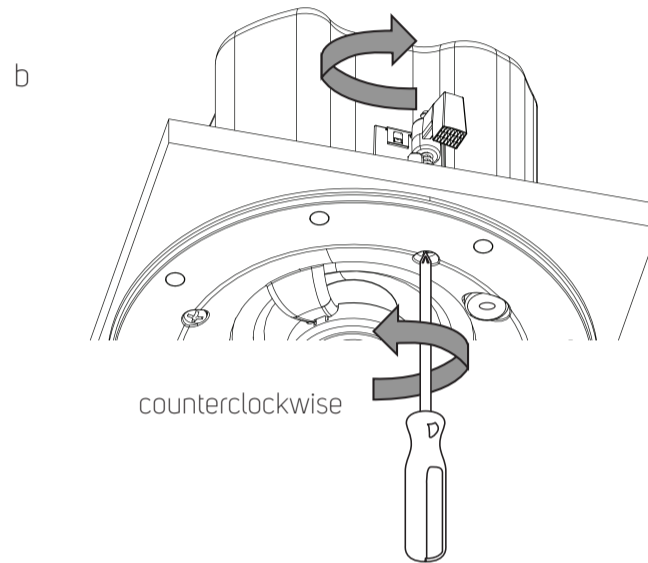
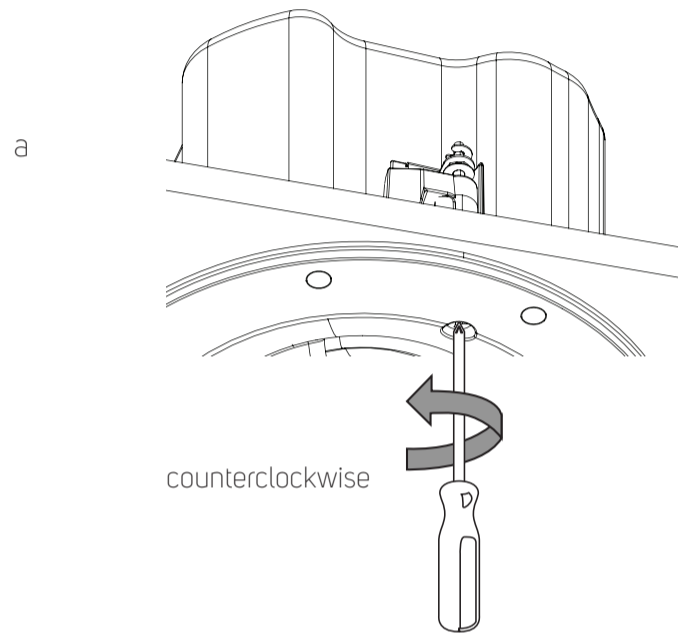


# INSTALL

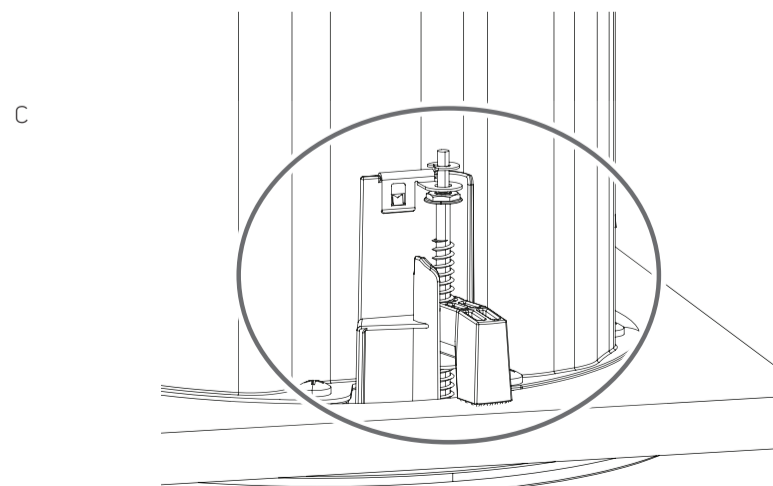
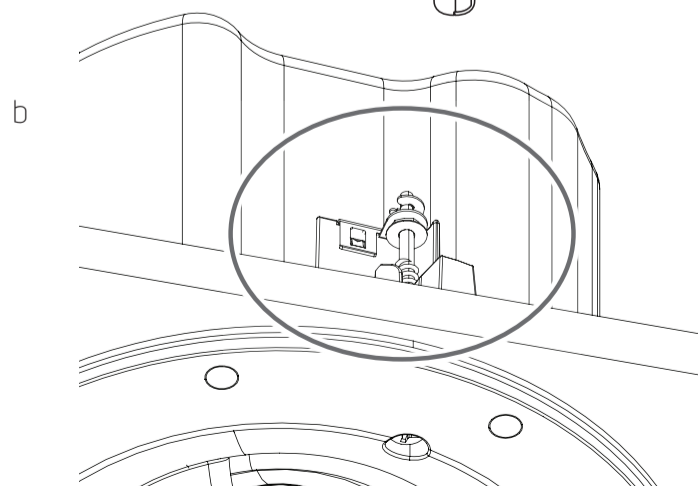
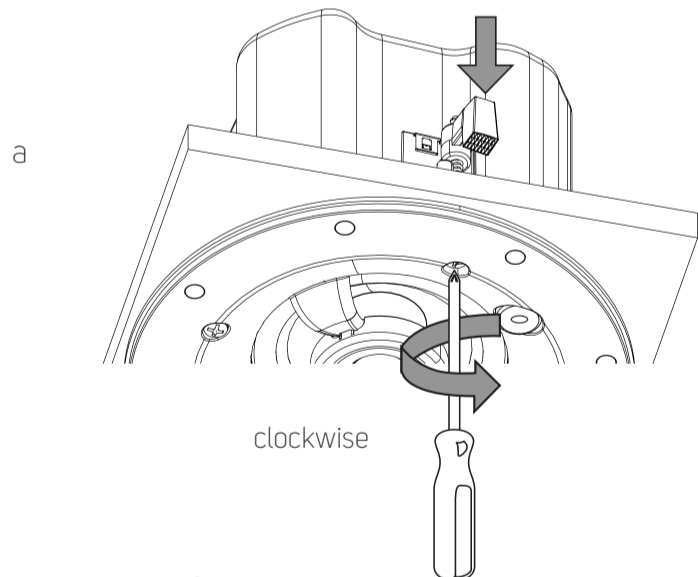
## 1 Position in-ceiling



## 2 Loosen dogleg to unlock

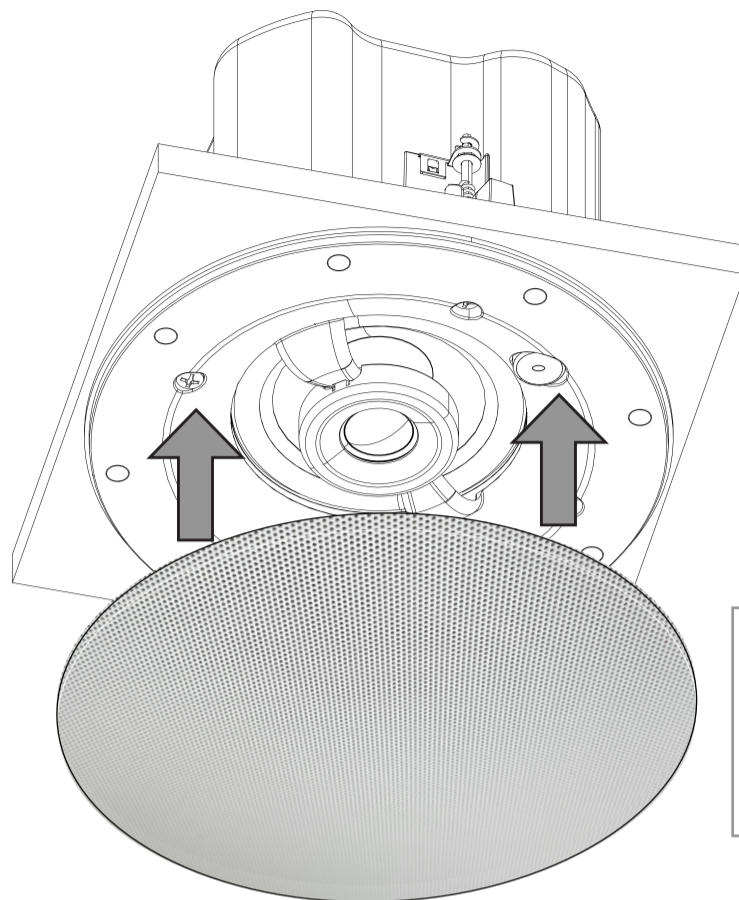


## 3 Tighten dogleg. Be sure not to tighten too fast or too tight.



4 Repeat Step 2 and 3 for the three other doglegs.

5 Install grille



BCS Round Grille White

#### Grille Options

BCS Round Grille White (Supplied)  
BCS Round Grille Black (Sold Separately)  
BCS Square Grille Black (Sold Separately)  
BCS Square Grille White (Sold Separately)

## DOWNLOAD

---

### **BLUOS CONTROLLER APP**

The BluOS Controller App for iOS and Android devices as well as Windows or macOS desktops are available for download from their respective App stores and BluOS downloads.

<https://bluos.io/downloads>

Launch the BluOS Controller App to configure your BCS300 as well as explore everything from your streaming music services, internet radio stations, networked music collections and favorites with quick and easy single-search discovery.

