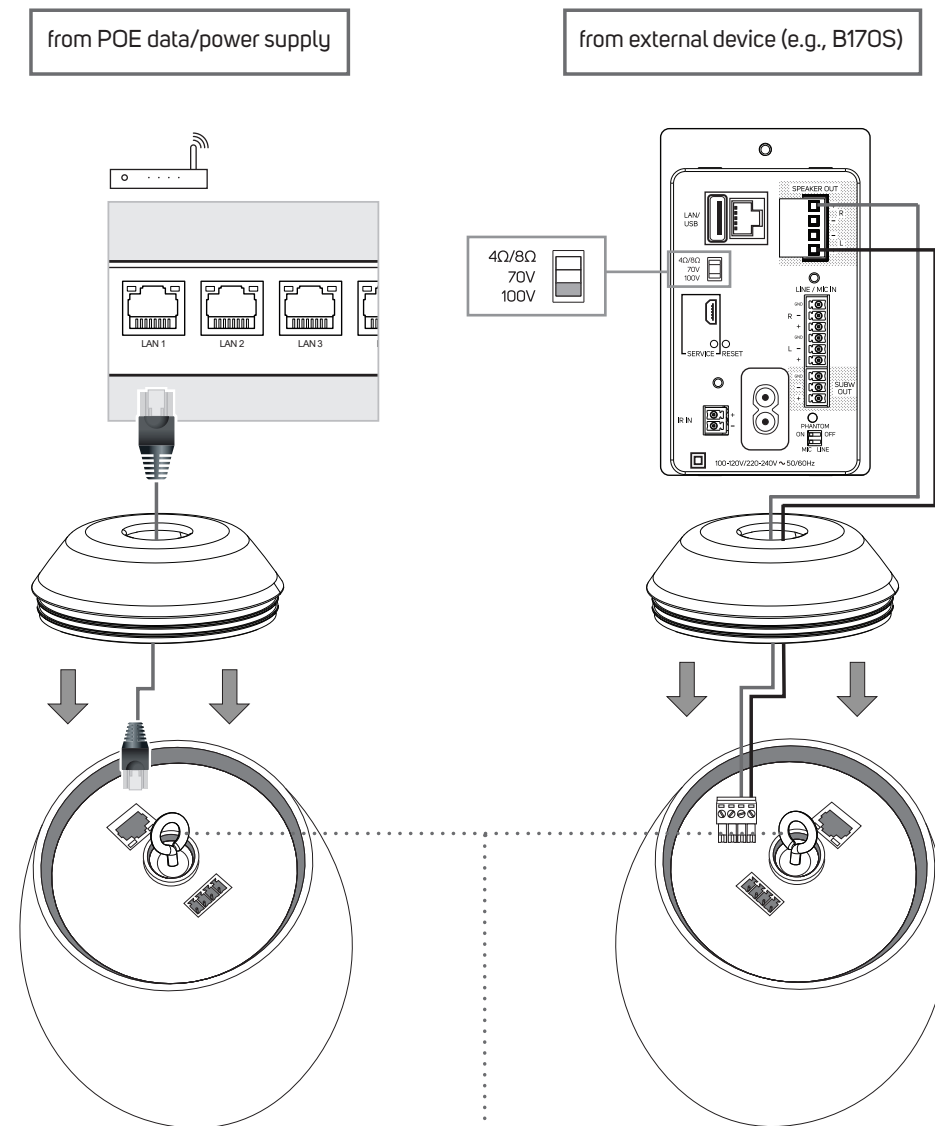


d Repeat Step 5a to 5c for the three other doglegs.

e Connect applicable connector from compatible device and then install cap

Wire gauge: 14-18 AWG

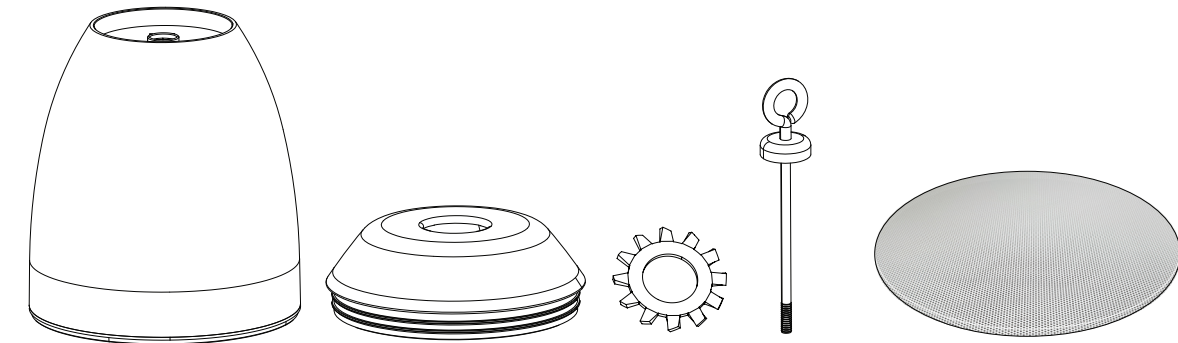
For further wiring information, please refer to BCS250 QSG and BCS300 QSG.



Ensure compliance with UL1480A requirements by using Gripple XP2-HG wire rope with a Snap-On Hook for suspending the pendant.

<https://www.gripple.com/umbraco/Surface/ProductTechnicalDocuments/Download?url=PI-EXPRESS-ENG.pdf>

WHAT'S IN THE BOX



IMPORTANT!

- Pendant WH (White Pendant accessory kit) does not include BCS Round Grille White. Use BCS Round Grille White that is supplied with BCS250 or BCS300.
- Pendant Blk (Black Pendant accessory kit) includes BCS Round Grille Black.

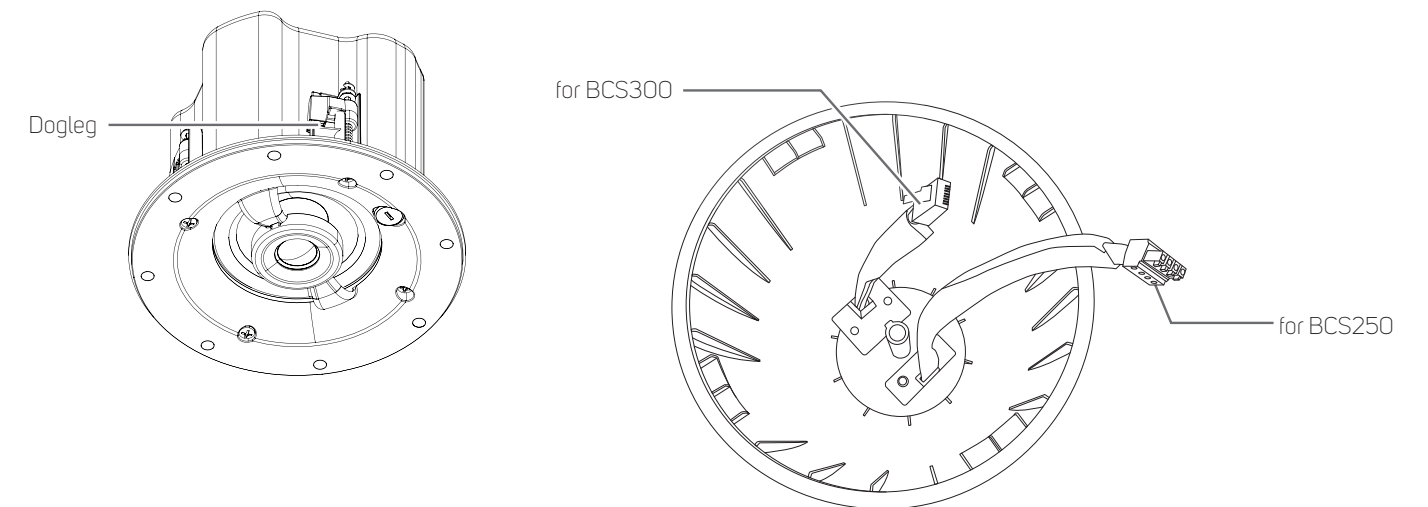


<https://www.bluesoundprofessional.com/product/pendant-kit>

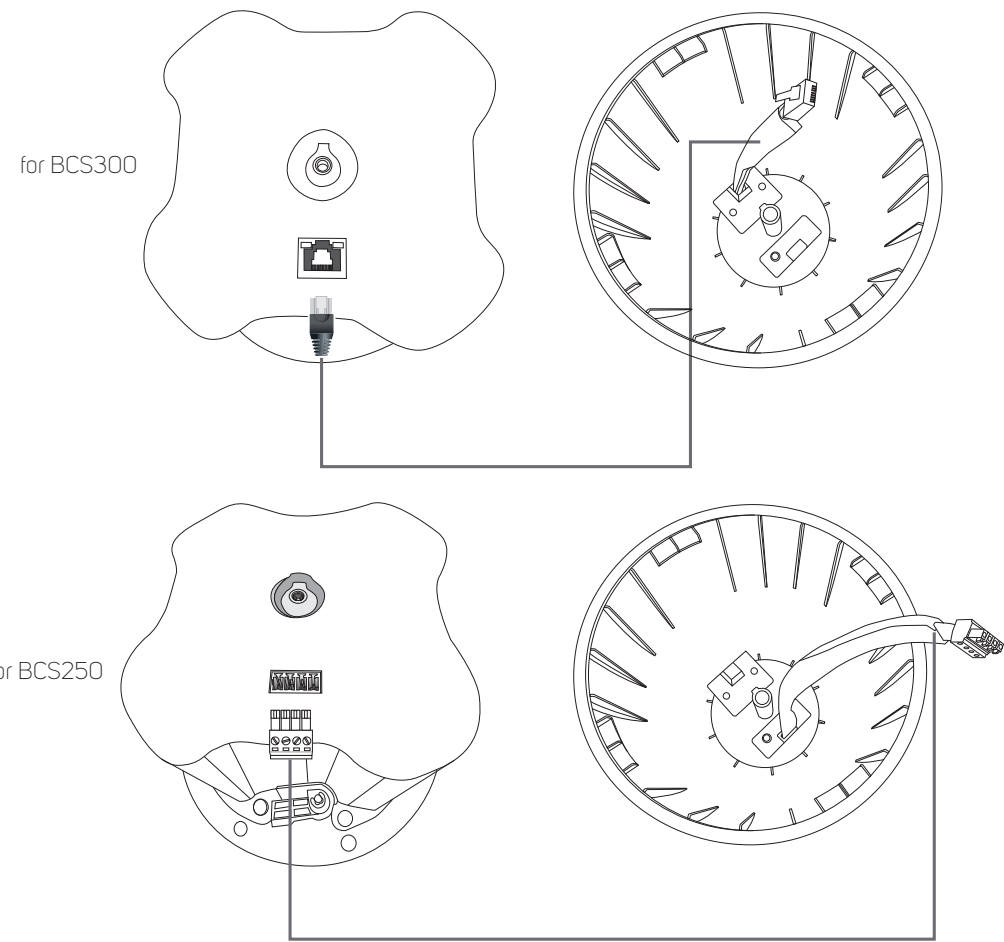
<https://support.bluesoundprofessional.com>

INSTALL

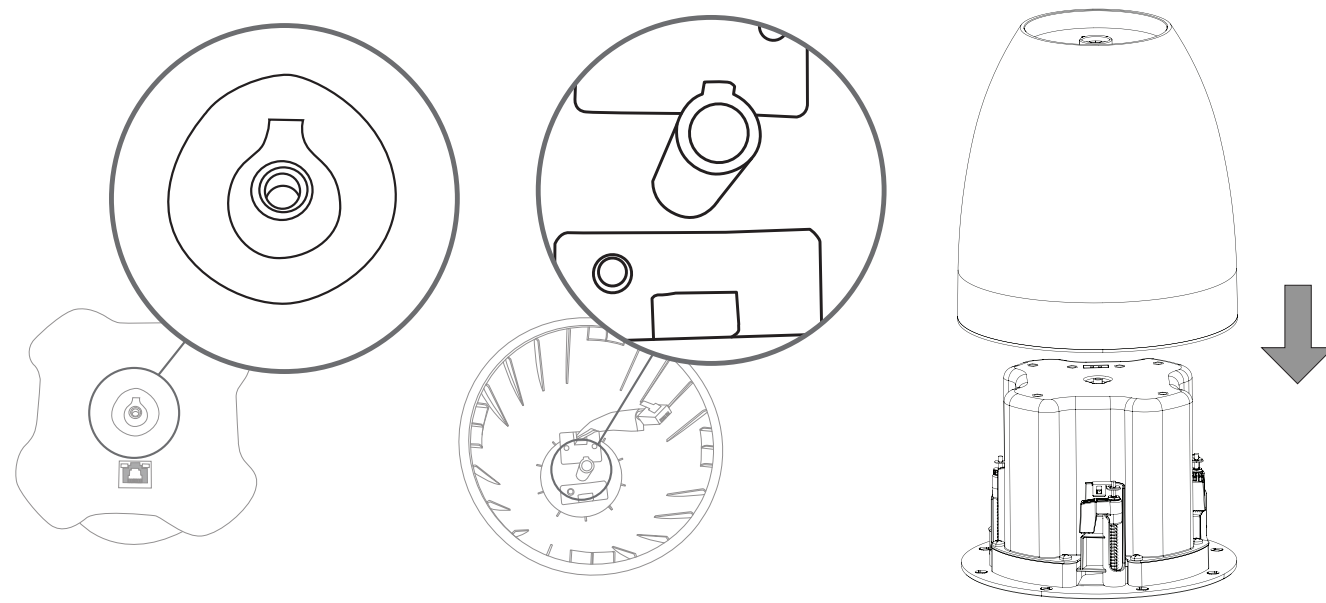
1 Remove connector not applicable



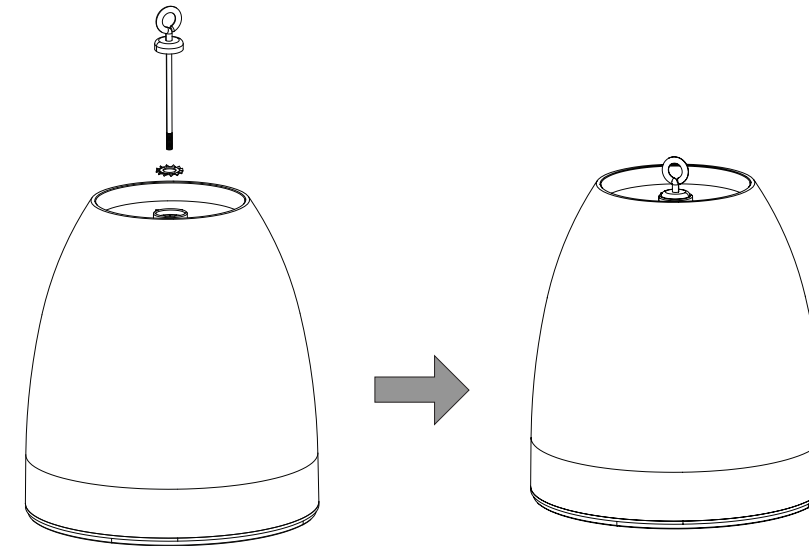
2 Connect applicable connector to corresponding port in the backcan



3 Align tab from the pendant to corresponding slot in the backcan

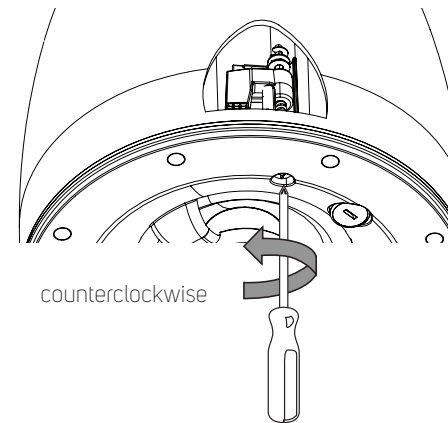


4 Install and fix hook screw with lock washer

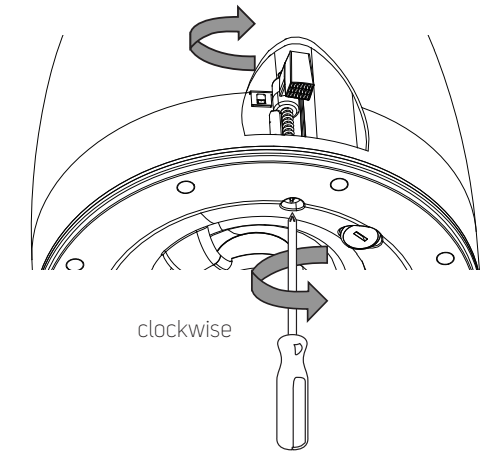


5

a Loosen dogleg to unlock. Slowly untighten until it stops.



b Rotate clockwise to position or swivel dogleg to the right.



c Tighten dogleg. Be sure not to tighten too fast or too tight.

